

Dell™ PowerEdge™
R200 Systems

Getting Started With Your System

Guide de mise en route

Primeiros passos com o sistema

Procedimientos iniciales con el sistema



Dell™ PowerEdge™
R200 Systems

Getting Started With Your System



Notes, Notices, and Cautions



NOTE: A NOTE indicates important information that helps you make better use of your computer.



NOTICE: A NOTICE indicates either potential damage to hardware or loss of data and tells you how to avoid the problem.



CAUTION: A CAUTION indicates a potential for property damage, personal injury, or death.

Information in this document is subject to change without notice.

© 2007 Dell Inc. All rights reserved.

Reproduction in any manner whatsoever without the written permission of Dell Inc. is strictly forbidden.

Trademarks used in this text: *Dell*, the *DELL* logo, and *PowerEdge* are trademarks of Dell Inc.; *Intel*, *Pentium*, and *Celeron* are registered trademarks and *Core* is a trademark of Intel Corporation; *Microsoft*, *Windows*, and *Windows Server* are either trademarks or registered trademarks of Microsoft Corporation in the United States and/or other countries; *Red Hat* is a registered trademark of Red Hat, Inc.; *SUSE* is a registered trademark of Novell Inc. in the United States and other countries.

Other trademarks and trade names may be used in this document to refer to either the entities claiming the marks and names or their products. Dell Inc. disclaims any proprietary interest in trademarks and trade names other than its own.

Model SVP

August 2007

P/N MP148

Rev. A00

System Features

The major hardware and software features of your system include:

- 1U/1S rack-mountable chassis with support for static rails and sliding rails.
 - ✎ **NOTE:** Use the System Setup program to view processor information. See "Using the System Setup Program" in your *Hardware Owner's Manual*.
- One of the following processors:
 - Intel® Celeron®
 - Intel Pentium® Dual-Core™
 - Intel Core 2 Duo™
 - Dual-Core Intel Xeon® Processor 3000 Series
 - Quad-Core Intel Xeon Processor 3200 Series.
- A minimum of 512 MB of 667-MHz or 800-MHz DDR2 SDRAM memory, upgradable to a maximum of 8 GB by installing combinations of 512-MB, 1-GB, or 2-GB unbuffered ECC memory modules in four memory module sockets on the system board.
- One of the following riser card options:
 - One full-height, half-length, x8 lane PCIe expansion slot and one full-height, half-length PCIe expansion slot with a x8 connector but with a x4 lane capability.
 - One full-height, half-length, 133MHz/64 bit PCI-X expansion slot and one full-height, half-length, x8 lane PCIe expansion slot, which includes a connector for an optional remote access controller (RAC) card.
- One 3.5-inch CD, DVD, or combination CD-RW/DVD in a peripheral drive bay.
- Support for the following internal hard-drive configurations:
 - Up to two internal, 1-inch high, SATA hard drives with the integrated drive controllers.
 - Up to two internal, 1-inch high optional Serial-Attached SCSI (SAS) hard drives with an optional SAS controller card.
- Optional remote access controller for remote systems management. This option requires a riser card with support for PCI-X and PCIe RAC connectors.
- Optional USB flash drive emulates a diskette drive or hard drive.
- One 345-W power supply.

- Two integrated Gigabit Ethernet network adapters, capable of supporting 10-Mbps, 100-Mbps, and 1000-Mbps data rates.
- Two system cooling fans, one power-supply cooling fan, and one optional PCI fan for systems with a SAS/RAID controller.
- Serial connector for console redirection support.
- Security features, including chassis-intrusion detection and keylock on the optional bezel.
- Systems management software/circuitry that monitors critical system voltages and temperatures.
- Back-panel connectors include keyboard, video, mouse, serial, two USB, and two NIC connectors.
- Front-panel connectors include one VGA and two USB connectors. For more information about specific features, see "Technical Specifications" on page 11.

The following software is included with your system:

- A System Setup program for viewing and changing system configuration information. For more information, see "Using the System Setup Program" in the *Hardware Owner's Manual*.
- Enhanced security features, including a system and setup passwords are available through the System Setup program.
- Video drivers for displaying application programs in high-resolution modes.
- Systems management software and documentation CDs.

Supported Operating Systems

- Microsoft® Windows Server® 2008 Web, Standard, and Enterprise (32-bit x86) Editions (*when available*)
- Microsoft Windows Server 2008 Web, Standard, Small Business Server (Premium and Standard), and Enterprise (x64) Editions (*when available*)
- Microsoft Windows Server 2003 Web, Standard, Small Business Server (Premium and Standard), and Enterprise (32-bit x86) Editions (SP1 and SP2)
- Microsoft Windows Server 2003 Standard and Enterprise (x64) Editions
- Microsoft Windows Server 2003 R2 Standard, Small Business Server (Premium and Standard), and Enterprise (32-bit x86) Editions
- Microsoft Windows Server 2003 R2 Standard and Enterprise (x64) Editions
- Red Hat® Enterprise Linux ES (versions 4 and 5) (x86_32)
- Red Hat Enterprise Linux ES (versions 4 and 5) (x86_64)
- SUSE® Linux Enterprise Server 9 (SP2 or later) (x86_64)
- SUSE Linux Enterprise Server 10 (x86_64)

Other Information You May Need



CAUTION: The *Product Information Guide* provides important safety and regulatory information. Warranty information may be included within this document or as a separate document.

- The *Rack Installation Instructions* or *Rack Installation Guide* included with your rack solution describes how to install your system into a rack.
- The *Hardware Owner's Manual* provides information about system features and describes how to troubleshoot the system and install or replace system components. The *Hardware Owner's Manual* is available on the CDs that came with your system or on support.dell.com.
- CDs included with your system provide documentation and tools for configuring and managing your system.
- Systems management software documentation describes the features, requirements, installation, and basic operation of the software.

- Operating system documentation describes how to install (if necessary), configure, and use the operating system software.
- Documentation for any components you purchased separately provides information to configure and install these options.
- Updates are sometimes included with the system to describe changes to the system, software, and/or documentation.



NOTE: Always check for updates on support.dell.com and read the updates first because they often supersede information in other documents.

- Release notes or readme files may be included to provide last-minute updates to the system or documentation or advanced technical reference material intended for experienced users or technicians.

Obtaining Technical Assistance

If you do not understand a procedure in this guide or if the system does not perform as expected, see your *Hardware Owner's Manual*.

Dell Enterprise Training and Certification is available; see www.dell.com/training for more information. This service may not be offered in all locations.

Installation and Configuration



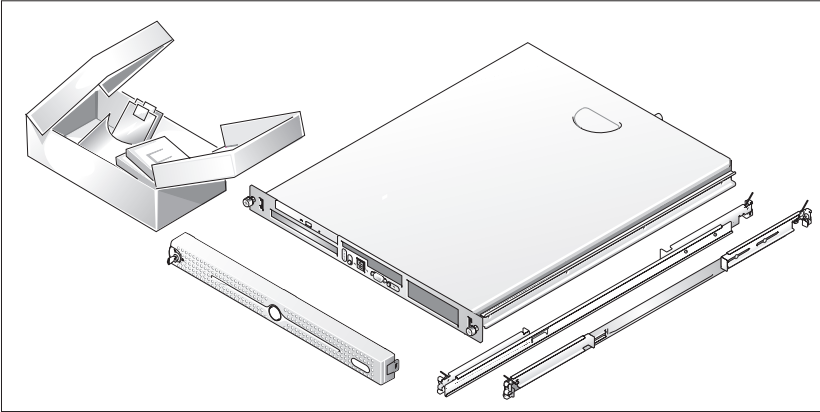
CAUTION: Before performing the following procedure, read and follow the safety instructions and important regulatory information in your *Product Information Guide*.



CAUTION: Whenever you need to lift the system, get others to assist you. To avoid injury, do not attempt to lift the system by yourself.

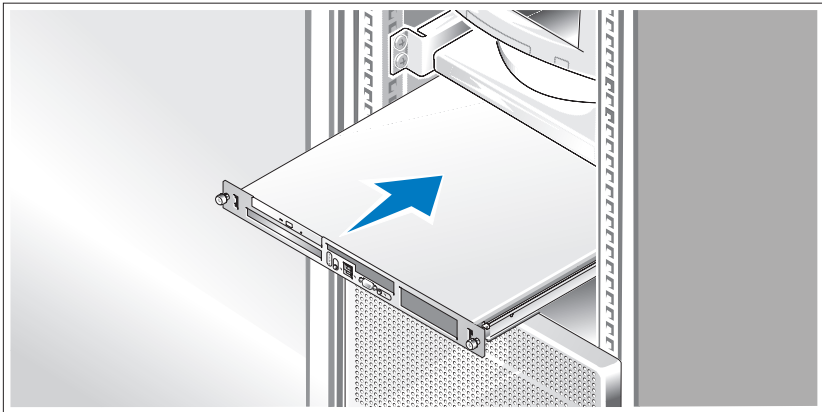
This section describes the steps to set up your system for the first time.

Unpacking the System



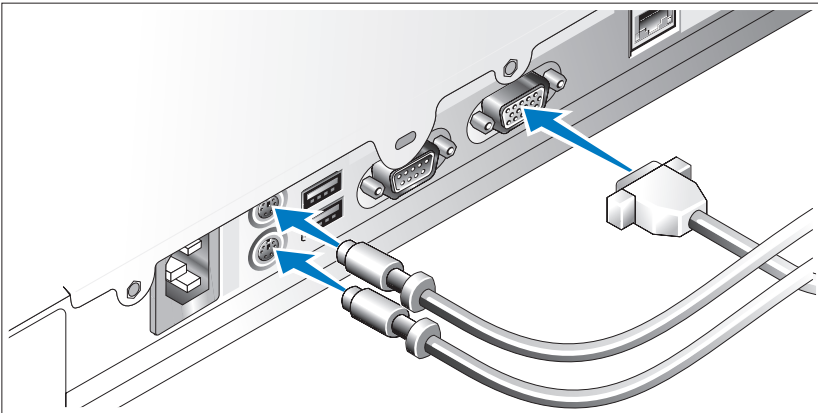
- 1 Unpack your system and identify each item.
Keep all shipping materials in case you need them later.

Installing the Rails and System in a Rack



- 2 Once you have read the "Safety Instructions" located in the rack installation documentation for your system, install the rails and the system in the rack.
See your rack installation documentation for instructions on installing your system in a rack.

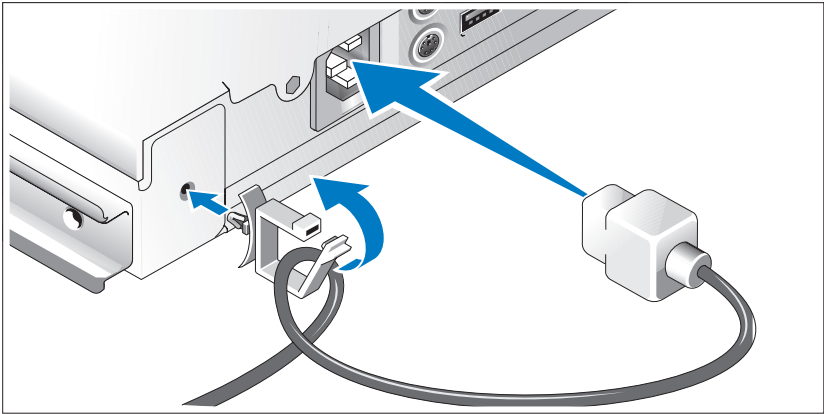
Connecting the Keyboard, Mouse, and Monitor



- 3 Connect the keyboard, mouse, and monitor (optional).

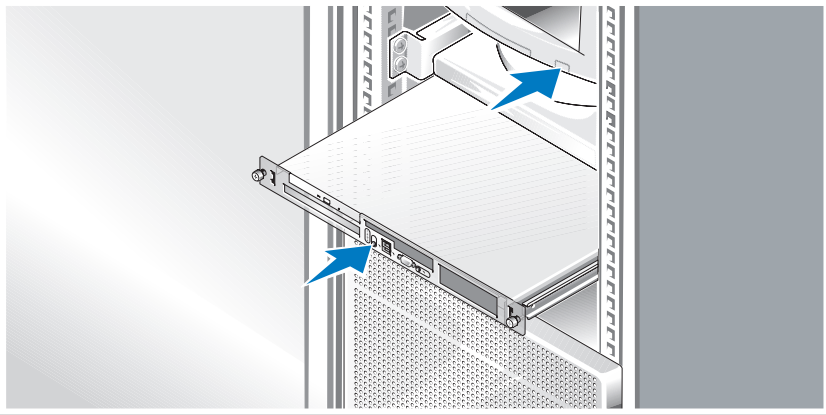
The connectors on the back of your system have icons indicating which cable to plug into each connector. Be sure to tighten the screws (if any) on the monitor's cable connector.

Connecting the Power



- 4 Connect the system's power cable(s) to the system. Attach the cable retention clip to the back of the system, run the cable through the cable retention clip as shown, and close the clip.
- 5 Plug the other end of the cable into a grounded electrical outlet or a separate power source such as an uninterruptible power supply (UPS) or a power distribution unit (PDU).

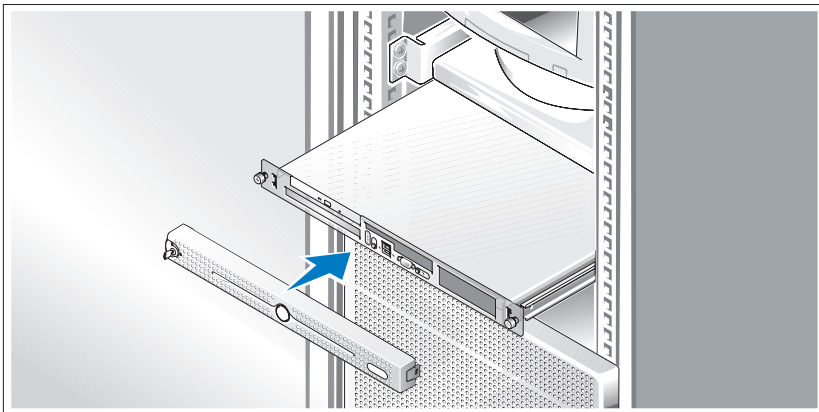
Turning on the System



- 6 Turn on the system and monitor (optional).

Press the power button on the system and the monitor. The power indicators should light. Adjust the monitor's controls until the displayed image is satisfactory.

Installing the Bezel



- 7 Install the bezel (optional).

Complete the Operating System Setup

If you purchased a preinstalled operating system, see the operating system documentation that ships with your system. To install an operating system for the first time, see the documentation that came with your operating system. Be sure the operating system is installed before installing hardware or software not purchased with the system.

Technical Specifications

Processor

Processor type	One Intel [®] Celeron [®] processor or One Intel Core [™] 2 Duo processor or One Intel Pentium [®] Dual-Core processor or Dual-Core Intel Xeon [®] 3000 Sequence processor or Quad-Core Intel Xeon 3200 Sequence processor
Front-side bus speed	
Intel Celeron	800 MHz minimum
Intel Pentium Dual-Core	800 MHz minimum
Intel Core 2 Duo	800 MHz minimum
Dual-Core Intel Xeon 3000 Sequence	1333 MHz minimum
Quad-Core Intel Xeon 3200 Sequence	1066 MHz minimum
Internal cache	
Intel Celeron	512 KB
Intel Pentium Dual-Core	at least 1 MB
Intel Core 2 Duo	at least 2 MB
Dual-Core Intel Xeon 3000 Sequence	4MB Minimum
Quad-Core Intel Xeon 3200 Sequence	2x4MB (8MB) Minimum

Expansion Buses

Bus type PCI-X, PCIe

Expansion slots - Two optional riser cards

Riser 1

PCIe One full-height, half-length, x8 lane PCIe slot

PCIe One full-height, half-length, x4 lane PCIe slot residing on a x8 lane connector

Riser 2

PCI-X One full-height, half-length, 64-bit, 133MHz PCI-X slot

PCIe One full-height, half-length, x8 lane PCIe slot

Memory

Architecture Up to four unbuffered DDR2 677/800 MHz SDRAM memory modules with ECC

Memory module sockets Four 240-pin

Memory module capacities 512 MB, 1 GB, or 2 GB

Minimum RAM 512 MB (one 512-MB module)

Maximum RAM 8 GB

Drives

Hard Drives

SATA Up to two 1-inch high drives

SAS Up to two optional internal 1-inch high drives with optional SAS controller card

Optical drive DVD, or combination CD-RW/DVD in a peripheral drive bay

NOTE: DVD devices are data only.

USB flash drive One optional drive that emulates a diskette drive or hard drive

Connectors

Externally accessible**Back**

Network adapter	Two RJ-45 (for integrated 1-Gigabit network adapters)
PS/2-style keyboard	6-pin mini-DIN
PS/2-compatible mouse	6-pin mini-DIN
Serial	9 pin
USB	Two 4-pin, USB 2.0 compliant
Video	15-pin VGA

Front

Video	15-pin VGA
USB	Two 4-pin, USB 2.0 compliant

Internally accessible

SATA channels	Three 7 pin
---------------	-------------

Video

Video type	Integrated ATI ES1000 VGA controller
Video memory	32MB DDR II

Power

AC power supply

Wattage	345 W
Voltage	100–240 VAC, 50/60 Hz
Maximum inrush current	Under typical line conditions and over the entire system ambient operating range, the inrush current may reach 25 A for 10 ms or less.
System battery	CR 2032 3.0-V lithium coin cell

Physical

Height	4.2 cm (1.68 in)
Width	44.6 cm (17.6 in)
Depth	
With optional bezel	57.6 cm (22.7 in)
Without optional bezel	54.6 cm (21.5 in)
Weight (maximum configuration)	11.8 kg (26 lb)

Environmental

NOTE: For additional information about environmental measurements for specific system configurations, see www.dell.com/environmental_datasheets.

Temperature

Operating	10° to 35°C (50° to 95°F)
Storage	-40° to 65°C (-40° to 149°F)

Relative humidity

Operating	20% to 80% (noncondensing) with a maximum humidity gradation of 10% per hour
Storage	5% to 95% (noncondensing)

Maximum vibration

Operating	0.26 G at 5–350 Hz for 15 min
Storage	1.54 G at 10–250 Hz for 15 min

Maximum shock

Operating	One shock pulse in the positive z axis (one pulse on each side of the system) of 31 G for up to 2.6 ms
Storage	Six consecutively executed shock pulses in the positive and negative x, y, and z axes (one pulse on each side of the system) of 71 G for up to 2 ms

Altitude

Operating	-16 to 3048 m (-50 to 10,000 ft)
Storage	-16 to 10,600 m (-50 to 35,000 ft)

Systèmes Dell™
PowerEdge™ R200

Guide de mise en route



Remarques, avis et précautions



REMARQUE : Une REMARQUE indique des informations importantes qui peuvent vous aider à mieux utiliser votre ordinateur.



AVIS : Un AVIS vous avertit d'un risque de dommage matériel ou de perte de données et vous indique comment éviter le problème.



PRÉCAUTION : Une PRÉCAUTION indique un risque potentiel d'endommagement du matériel, de blessure corporelle ou de mort.

**Les informations contenues dans ce document peuvent être modifiées sans préavis.
© 2007 Dell Inc. Tous droits réservés.**

La reproduction de ce document de quelque manière que ce soit sans l'autorisation écrite de Dell Inc. est strictement interdite.

Marques utilisées dans ce document : *Dell*, le logo *DELL* et *PowerEdge* sont des marques de Dell Inc. ; *Intel*, *Pentium* et *Celeron* sont des marques déposées de Intel Corporation ; *Core* est une marque de Intel Corporation ; *Microsoft*, *Windows* et *Windows Server* sont des marques ou des marques déposées de Microsoft Corporation aux États-Unis et/ou dans d'autres pays ; *Red Hat* est une marque déposée de Red Hat, Inc. ; *SUSE* est une marque déposée de Novell Inc. aux États-Unis et dans d'autres pays.

Tous les autres noms de marques et marques commerciales utilisés dans ce document se rapportent aux sociétés propriétaires de ces marques et de ces noms ou à leurs produits. Dell Inc. décline tout intérêt dans l'utilisation des marques déposées et des noms de marques ne lui appartenant pas.

Modèle SVP

Août 2007

N/P MP148

Rév. A00

Caractéristiques du système

Les principales caractéristiques du système sur le plan matériel et logiciel sont les suivantes :

- Châssis 1U/1S montable en rack avec support pour rails statiques et coulissants.
 - ✍ **REMARQUE** : Pour afficher les informations concernant le processeur, utilisez le programme de configuration du système. Voir "Using the System Setup Program" (Utilisation du programme de configuration du système), dans le document *Hardware Owner's Manual* (Manuel du propriétaire).
- L'un des processeurs suivants :
 - Intel® Celeron®
 - Intel Pentium® Dual-Core™
 - Intel Core 2 Duo™
 - Intel Xeon® Dual-Core série 3000
 - Intel Xeon Quad-Core série 3200
- Mémoire minimale : 512 Mo, sous forme de barrettes de mémoire SDRAM DDR2 à 667 ou 800 MHz. Extensible via l'installation de barrettes de mémoire ECC sans tampon (de 512 Mo, 1 Go ou 2 Go) dans les quatre emplacements mémoire de la carte système. Le maximum autorisé est de 8 Go.
- L'une des cartes de montage suivantes, disponibles en option :
 - Deux logements d'extension PCIe pour carte de mi-longueur/pleine hauteur : un logement x8 et un autre équipé d'un connecteur x8 mais utilisable uniquement en x4.
 - Deux logements d'extension pour carte de mi-longueur/pleine hauteur : un logement PCI-X (133 MHz/64 bits) et un logement PCIe x8 comprenant un connecteur pour le contrôleur d'accès distant (RAC) en option.
- Un lecteur 3,5 pouces de CD, DVD ou CD-RW/DVD installé dans une baie de périphérique

- Prise en charge des configurations suivantes pour les disques durs internes :
 - Jusqu'à deux disques durs SATA internes d'une hauteur de 1 pouce, avec les contrôleurs de lecteur intégrés.
 - Jusqu'à deux disques durs SAS (Serial-Attached SCSI) internes d'une hauteur de 1 pouce (en option) avec une carte contrôleur SAS (également en option).
- Contrôleur d'accès à distance (en option) permettant la gestion de systèmes à distance. Cette option requiert une carte de montage prenant en charge les connecteurs RAC PCI-X et PCIe.
- Lecteur flash USB en option émulant un lecteur de disquette ou un disque dur.
- Un bloc d'alimentation de 345 W.
- Deux cartes réseau Ethernet Gigabit intégrées pouvant prendre en charge des débits de données de 10, 100 et 1000 Mbps.
- Deux ventilateurs système, un ventilateur pour le bloc d'alimentation et un ventilateur PCI en option pour les systèmes équipés d'un contrôleur SAS/RAID.
- Un connecteur série assurant la prise en charge de la redirection de console.
- Des fonctions de sécurité telles que la détection des intrusions dans le châssis et le verrou du cadre en option.
- Des circuits/logiciels de gestion de systèmes surveillant les tensions et les températures critiques.
- Le panneau arrière contient le connecteur du clavier, de la souris, ainsi qu'un connecteur vidéo, le port série, deux connecteurs USB et deux connecteurs de NIC.
- Le panneau avant comprend deux connecteurs USB et un connecteur VGA. Pour plus d'informations sur des caractéristiques spécifiques, voir "Spécifications techniques", à la page 24.

Les logiciels suivants sont livrés avec le système :

- Programme de configuration du système permettant de consulter et de modifier les informations de configuration. Pour plus d'informations, voir "Using the System Setup Program" (Utilisation du programme de configuration du système), dans le document *Hardware Owner's Manual* (Manuel du propriétaire).
- Fonctions de sécurité avancées (disponibles dans le programme de configuration du système) permettant de définir un mot de passe système et un mot de passe de configuration.
- Pilotes vidéo permettant d'afficher des applications dans les modes à haute résolution.
- CD du logiciel de gestion de systèmes et de la documentation.

Systèmes d'exploitation pris en charge

- Microsoft® Windows Server® 2008 éditions Web, Standard et Enterprise, 32 bits/x86 (*selon disponibilité*)
- Microsoft Windows Server 2008 éditions Web, Standard, Small Business Server (Premium et Standard) et Enterprise 64 bits (*selon disponibilité*)
- Microsoft Windows Server 2003 éditions Web, Standard, Small Business Server (Premium et Standard) et Enterprise (32 bits, x86) (SP1 et SP2)
- Microsoft Windows Server 2003 éditions Standard et Enterprise (64 bits)
- Microsoft Windows Server 2003 R2 éditions Web, Standard, Small Business Server (Premium et Standard) et Enterprise (32 bits, x86)
- Microsoft Windows Server 2003 R2 éditions Standard et Enterprise (64 bits)
- Red Hat® Enterprise Linux ES (versions 4 et 5, x86_32)
- Red Hat Enterprise Linux ES (versions 4 et 5, x86_64)
- SUSE® Linux Enterprise Server 9 (SP2 ou suivant, x86_64)
- SUSE Linux Enterprise Server 10 (x86_64)

Autres informations utiles



PRÉCAUTION : Le document *Product Information Guide* (Guide d'informations sur le produit) contient d'importantes informations se rapportant à la sécurité et aux réglementations. Les informations sur la garantie se trouvent soit dans ce document, soit à part.

- Les documents *Rack Installation Guide* (Guide d'installation du rack) et *Rack Installation Instructions* (Instructions d'installation du rack) fournis avec la solution rack décrivent l'installation du système.
- Le document *Hardware Owner's Manual* (Manuel du propriétaire) contient des informations sur les caractéristiques du système, ainsi que des instructions relatives au dépannage et à l'installation ou au remplacement de composants. Il se trouve sur les CD fournis avec le système, ainsi que sur le site support.dell.com.
- Les CD fournis avec le système contiennent des documents et des outils relatifs à la configuration et à la gestion du système.
- La documentation des logiciels de gestion des systèmes contient des informations sur les fonctionnalités, l'installation et l'utilisation de base de ces logiciels, ainsi que sur la configuration requise.
- La documentation du système d'exploitation indique comment installer (au besoin), configurer et utiliser le système d'exploitation.
- La documentation d'accompagnement des composants achetés séparément indique comment installer et configurer ces options.
- Des mises à jour sont parfois fournies avec le système. Elles décrivent les modifications apportées au système, aux logiciels ou à la documentation.



REMARQUE : Vérifiez toujours si des mises à jour sont disponibles sur le site support.dell.com et lisez-les en premier, car elles remplacent souvent les informations contenues dans les autres documents.

- Si des notes d'édition ou des fichiers lisez-moi (readme) sont fournis, ils contiennent des mises à jour de dernière minute apportées au système ou à la documentation, ou bien des informations techniques avancées destinées aux utilisateurs expérimentés ou aux techniciens.

Obtention d'assistance technique

Si vous ne comprenez pas une procédure décrite dans ce guide ou si le système ne réagit pas comme prévu, consultez le document *Hardware Owner's Manual* (Manuel du propriétaire).

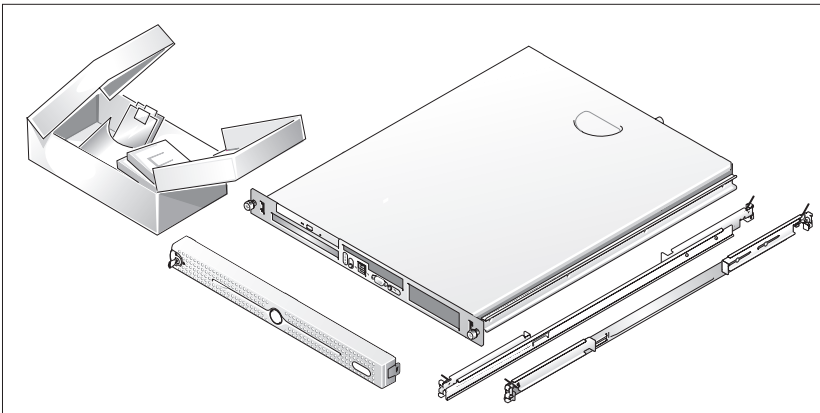
Des formations et certifications Dell Enterprise sont disponibles. Pour plus d'informations, consultez le site www.dell.com/training. Ce service n'est disponible que dans certains pays.

Installation et configuration

- ⚠ PRÉCAUTION : Avant de commencer la procédure suivante, lisez et appliquez les consignes concernant la sécurité et les réglementations, que vous trouverez dans le document *Product Information Guide* (Guide d'informations sur le produit).**
- ⚠ PRÉCAUTION : Demandez toujours de l'aide avant de soulever le système. N'essayez pas de le soulever seul car vous risqueriez de vous blesser.**

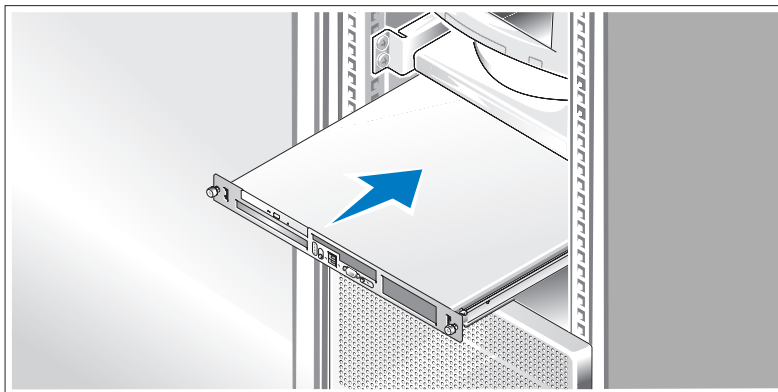
Cette section décrit les étapes à exécuter lors de la configuration initiale du système.

Déballage du système



- 1** Sortez le système de son emballage et identifiez chaque élément.
Conservez les matériaux d'emballage au cas où vous en auriez besoin ultérieurement.

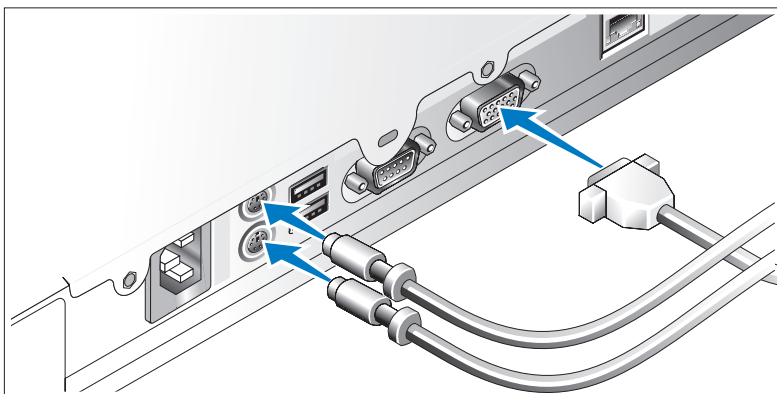
Installation des rails et du système dans un rack



- Commencez par lire les consignes de sécurité qui se trouvent dans la documentation d'installation du rack, puis installez les rails et le système dans le rack.

Consultez la documentation d'installation du rack pour obtenir les instructions appropriées.

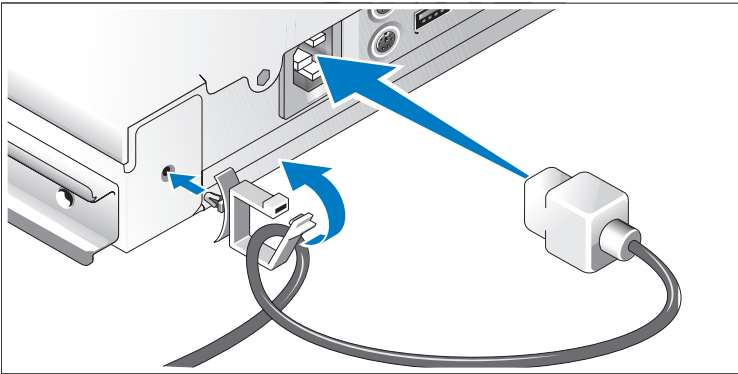
Connexion du clavier, de la souris et du moniteur



- Connectez le clavier, la souris et le moniteur (facultatif).

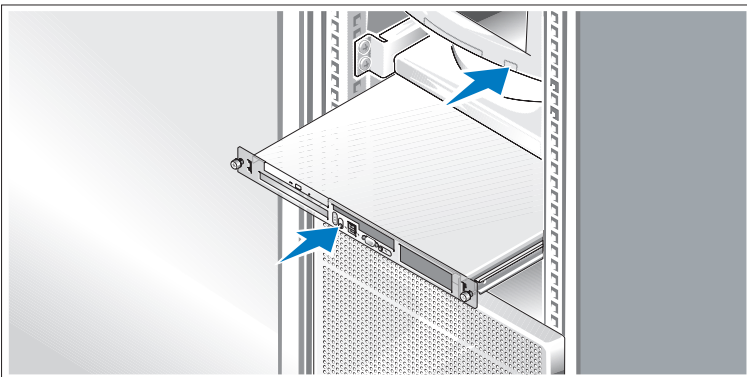
Utilisez les icônes des connecteurs situés à l'arrière du système pour savoir où insérer chaque câble. N'oubliez pas de serrer les vis situées sur le connecteur du câble du moniteur, s'il en est équipé.

Connexion du câble d'alimentation



- 4 Branchez le(s) câble(s) d'alimentation sur le système. Attachez le serre-câbles à l'arrière du système, faites passer le câble dans le clip comme indiqué dans l'illustration, puis refermez ce dernier.
- 5 Branchez ensuite l'autre extrémité du câble sur une prise de courant mise à la terre ou sur une source d'alimentation autonome (onduleur ou unité de distribution de l'alimentation).

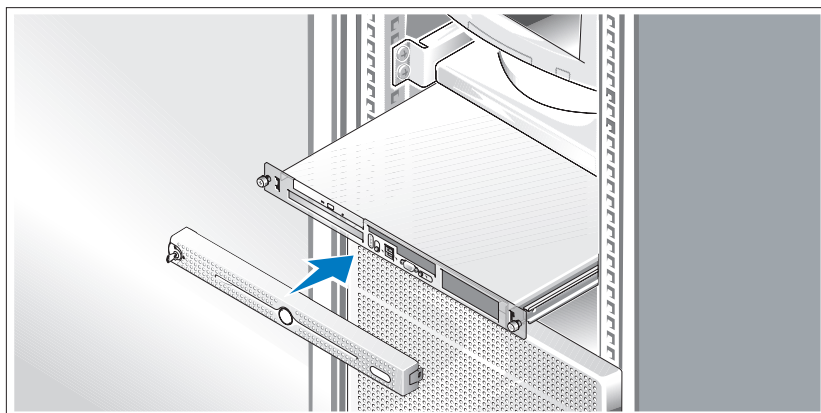
Mise sous tension du système



- 6 Mettez le système sous tension, ainsi que le moniteur, si nécessaire.

Appuyez sur le bouton d'alimentation du système et sur celui du moniteur. Les voyants d'alimentation doivent s'allumer. Réglez le moniteur jusqu'à ce que l'image soit correctement affichée.

Installation du cadre



- 7 Installez le cadre (facultatif).

Finalisation de l'installation du système d'exploitation

Si vous avez acheté un système d'exploitation préinstallé, consultez tout d'abord la documentation correspondante, qui vous a été fournie avec le système. Si vous installez un système d'exploitation pour la première fois, consultez la documentation livrée avec ce dernier. Veillez à installer le système d'exploitation avant tout élément matériel ou logiciel acheté séparément.

Spécifications techniques

Processeur

Type de processeur	Un processeur Intel [®] Celeron [®] ou Un processeur Intel Core [™] 2 Duo ou Un processeur Intel Pentium [®] Dual-Core ou Un processeur Intel Xeon [®] Dual-Core série 3000 ou Un processeur Intel Xeon Quad-Core série 3200
--------------------	---

Processeur (suite)

Vitesse du bus frontal

Intel Celeron	800 MHz minimum
Intel Pentium Dual-Core	800 MHz minimum
Intel Core 2 Duo	800 MHz minimum
Intel Xeon Dual-Core série 3000	1333 MHz minimum
Intel Xeon Quad-Core série 3200	1066 MHz minimum

Mémoire cache interne

Intel Celeron	512 Ko
Intel Pentium Dual-Core	1 Mo minimum
Intel Core 2 Duo	2 Mo minimum
Intel Xeon Dual-Core série 3000	4 Mo minimum
Intel Xeon Quad-Core série 3200	2 x 4 Mo (8 Mo) minimum

Bus d'extension

Type de bus	PCI-X, PCIe
-------------	-------------

Logements d'extension - Deux cartes de montage (en option)

Carte de montage 1

PCIe	Un logement PCIe x8 de mi-longueur/ pleine hauteur
PCIe	Un logement PCIe x4 de mi-longueur/ pleine hauteur, situé sur un connecteur x8

Carte de montage 2

PCI-X	Un logement PCI-X 64 bits à 133 MHz, mi-longueur/pleine hauteur
PCIe	Un logement PCIe x8 de mi-longueur/ pleine hauteur

Mémoire

Architecture	Jusqu'à quatre barrettes de mémoire ECC sans tampon DDR2 SDRAM à 667/800 MHz
Supports de barrette de mémoire	Quatre supports à 240 broches
Capacité des barrettes de mémoire	512 Mo, 1 Go ou 2 Go
RAM minimale	512 Mo (une barrette de 512 Mo)
RAM maximale	8 Go

Lecteurs

Disques durs

SATA	Jusqu'à deux lecteurs de 1 pouce de hauteur
SAS	Jusqu'à deux disques durs internes de 1 pouce de hauteur (en option), avec une carte contrôleur SAS (également en option)
Lecteur optique	Un lecteur de DVD ou CD-RW/DVD installé dans une baie de périphérique REMARQUE : Les périphériques DVD sont uniquement des périphériques de données.
Lecteur flash USB	Un lecteur en option émulant un lecteur de disquette ou un disque dur

Connecteurs

Accessibles de l'extérieur

À l'arrière

Carte réseau	Deux connecteurs RJ-45 (pour NIC intégrés 1 Gigabit)
Clavier PS/2	Mini-DIN à 6 broches
Souris compatible PS/2	Mini-DIN à 6 broches
Série	9 broches
USB	Deux connecteurs à 4 broches, compatibles USB 2.0
Vidéo	VGA, 15 broches

Connecteurs (suite)

À l'avant

Vidéo	VGA, 15 broches
USB	Deux connecteurs à 4 broches, compatibles USB 2.0

Accessibles de l'intérieur

Canaux SATA	Trois à 7 broches
-------------	-------------------

Vidéo

Type de vidéo	Contrôleur VGA ATI ES1000 intégré
Mémoire vidéo	32 Mo, DDR II

Alimentation

Bloc d'alimentation en CA

Puissance	345 W
Tension	100-240 VCA, 50/60 Hz
Appel de courant maximal	Dans des conditions de lignes typiques et dans toute la gamme ambiante de fonctionnement du système, l'appel de courant peut atteindre 25 A pendant un maximum de 10 ms.

Pile du système	Pile bouton au lithium CR 2032 (3 V)
-----------------	--------------------------------------

Caractéristiques physiques

Hauteur	4,2 cm (1,68 pouces)
Largeur	44,6 cm (17,6 pouces)

Profondeur

Avec le cadre en option	57,6 cm (22,7 pouces)
Sans le cadre en option	54,6 cm (21,5 pouces)

Poids (configuration maximale)	11,8 kg (26 livres)
--------------------------------	---------------------

Environnement

REMARQUE : Pour plus d'informations concernant les mesures d'exploitation liées à différentes configurations spécifiques, rendez-vous à l'adresse www.dell.com/environmental_datasheets.

Température

En fonctionnement	De 10° à 35° C (50° à 95° F)
Stockage	De -40° à 65° C (-40° à 149° F)

Humidité relative

En fonctionnement	De 20% à 80% (sans condensation) avec un gradient d'humidité maximal de 10% par heure.
Stockage	De 5% à 95% (sans condensation)

Tolérance maximale aux vibrations

Fonctionnement	0,26 G avec un balayage de 5 à 350 Hz pendant 15 mn
Stockage	1,54 G avec un balayage de 10 à 250 Hz pendant 15 mn

Tolérance maximale aux chocs

Fonctionnement	Une impulsion de choc de 31 G pendant un maximum de 2,6 ms sur l'axe z positif (une impulsion de chaque côté du système)
Stockage	Six chocs consécutifs de 71 G pendant un maximum de 2 ms en positif et négatif sur les axes x, y et z (une impulsion de chaque côté du système)

Altitude

Fonctionnement	De -16 à 3 048 m (-50 à 10 000 pieds)
Stockage	De -16 à 10 600 m (-50 à 35 000 pieds)

Dell™ PowerEdge™

Sistemas R200

Primeiros passos com o sistema



Notas, Avisos e Advertências



NOTA: NOTA fornece informações importantes para ajudar você a usar melhor o computador.



AVISO: AVISO indica possíveis danos ao hardware ou a possibilidade de perda de dados e ensina como evitar o problema.



ADVERTÊNCIA: ADVERTÊNCIA indica um potencial de danos à propriedade, de lesões corporais ou até de morte.

As informações fornecidas neste documento estão sujeitas a alterações sem aviso prévio.
© 2007 Dell Inc. Todos os direitos reservados.

Fica proibida a reprodução por quaisquer meios sem a permissão por escrito da Dell Inc.

Marcas comerciais mencionadas neste texto: *Dell*, o logotipo da *DELL* e *PowerEdge* são marcas comerciais da Dell Inc.; *Intel*, *Pentium*, e *Celeron* são marcas registradas e *Core* é marca comercial da Intel Corporation; *Microsoft*, *Windows* e *Windows Server* são marcas comerciais ou registradas da Microsoft Corporation nos Estados Unidos e/ou em outros países; *Red Hat* é marca registrada da Red Hat, Inc.; *SUSE* é marca registrada da Novell Inc. nos Estados Unidos e em outros países.

As demais marcas e nomes comerciais podem ser utilizados neste documento em referência a empresas proprietárias das marcas e aos nomes de seus produtos. A Dell Inc. renuncia ao direito de qualquer participação em nomes e marcas comerciais que não sejam de sua propriedade.

Modelo SVP

Agosto de 2007

N/P MP148

Rev. A00

Recursos do sistema

As principais características de hardware e software do sistema incluem:

- Chassi montável em rack 1U/1S com apoio para trilhos estáticos e deslizantes.
 - ✍ **NOTA:** Use o programa de configuração do sistema para visualizar informações sobre o processador. Consulte a seção "Using the System Setup Program" (Como utilizar o programa de configuração do sistema) no *Manual do proprietário de hardware*.
- Um dos seguintes processadores:
 - Intel® Celeron®
 - Intel Pentium® Dual-Core™
 - Intel Core 2 Duo™
 - Processador Intel Xeon® Dual Core Série 3000
 - Processador Intel Xeon Quad Core Série 3200.
- Memória mínima de 512 MB de 667 MHz ou 800 MHz DDR2 SDRAM, atualizável para um máximo de 8 GB ao instalar combinações de 512 MB, 1 GB ou 2 GB módulos de memória ECC sem buffer em quatro soquetes dos módulos de memória na placa do sistema.
- Uma das seguintes opções de placa riser:
 - Um slot de expansão PCIe de altura completa e meio comprimento de pista x8 e outro slot com um conector x8, mas com capacidade de pista x4.
 - Um slot de expansão PCI-X de altura completa e meio comprimento de 133MHz/64 bit e um slot de expansão PCIe de altura completa e meio comprimento de pista x8 que inclui um conector para uma placa controladora de acesso remoto (RAC) opcional.
- Um compartimento de unidade de 3,5 polegadas para CD, DVD ou a combinação de CD-RW/DVD em um compartimento de unidades periférico.
- Assistência para as seguintes configurações das unidades de disco rígido internas:
 - Até dois discos rígidos internos SATA de 1 polegada de altura com controladores de unidade integrados.
 - Até dois discos rígidos SAS (Serial-Attached SCSI) opcionais de 1 polegada de altura com uma placa controladora SAS opcional.

- Controlador de acesso remoto opcional para o gerenciamento remoto de sistemas. Esta opção requer uma placa riser com suporte para conectores RAC PCI-X e PCIe.
- Unidade flash USB opcional que emula uma unidade de disquete ou de disco rígido.
- Uma fonte de alimentação de 345 W.
- Dois adaptadores de rede Gigabit Ethernet integrados, capazes de suportar taxas de dados de 10 Mbps, 100-Mbps e 1.000 Mbps.
- Dois ventiladores de resfriamento do sistema, um ventilador de resfriamento da fonte de alimentação e um ventilador opcional PCI para sistemas com controlador SAS/RAID.
- Conector serial para suporte do redirecionamento do console.
- Recursos de segurança que incluem detecção de violação do chassi e travamento da fechadura na tampa frontal opcional.
- Software/circuito de gerenciamento de sistemas que monitora a tensão e temperaturas críticas do sistema.
- Os conectores do painel traseiro incluem conectores de teclado, de vídeo, dois conectores USB e dois conectores NIC.
- Os conectores do painel frontal incluem um conector VGA e dois conectores USB. Para obter mais informações sobre recursos específicos, consulte a seção “Especificações técnicas” na página 38.

O software a seguir está incluído no sistema:

- Um Programa de configuração do sistema para visualizar e alterar as informações de configuração do sistema. Para obter mais informações, consulte a seção “Using the System Setup Program ” (Como utilizar o programa de configuração do sistema) no *Manual do proprietário de hardware*.
- Recursos de segurança avançados, incluindo senhas do sistema e de configuração, disponíveis no Programa de configuração do sistema.
- Drivers de vídeo para exibir programas de aplicativos em modos de alta resolução.
- CD da documentação e do software de gerenciamento de sistemas.

Sistemas operacionais compatíveis

- Microsoft® Windows Server® 2008, nas edições Standard, Enterprise e Web (32-bit x86) (*quando disponível*)
- Microsoft Windows Server 2008 nas edições Web, Standard, Small Business Server (Premium e Standard) e Enterprise (x64) (*quando disponível*)
- Microsoft Windows Server 2003 nas edições Standard, Web, Small Business Server (Premium e Standard) e Enterprise (32-bit x86) (SP1 e SP2)
- Microsoft Windows Server 2003, nas edições Standard e Enterprise (x64)
- Microsoft Windows Server 2003 R2 nas edições Standard, Small Business Server (Premium e Standard) e Enterprise (32-bit x86)
- Microsoft Windows Server 2003 R2 nas edições Standard e Enterprise (x64)
- Red Hat® Enterprise Linux ES (versões 4 e 5) (x86_32)
- Red Hat Enterprise Linux ES (versões 4 e 5) (x86_64)
- SUSE® Linux Enterprise Server 9 (SP2 ou posterior) (x86_64)
- SUSE Linux Enterprise Server 10 (x86_64)

Outras informações úteis



ADVERTÊNCIA: O *Guia de informações do produto* fornece informações importantes sobre segurança e regulamentação. As informações sobre garantia podem estar incluídas neste documento ou serem fornecidas como documento separado.

- O documento *Rack Installation Instructions* (Instruções para montagem em rack) ou *Rack Installation Guide* (Guia para instalação em rack) que é fornecido com a solução em rack descreve como instalar o sistema em racks.
- O *Manual do proprietário de hardware* fornece informações sobre os recursos do sistema e descreve como solucionar problemas do sistema e instalar ou substituir seus componentes. O *Manual do proprietário de hardware* está disponível nos CDs fornecidos com o sistema ou no site support.dell.com (em inglês).

- Os CDs incluídos com o sistema fornecem documentação e ferramentas para a configuração e o gerenciamento do sistema.
- A documentação do software de gerenciamento de sistemas descreve os recursos, os requisitos, a instalação e a operação básica do software.
- A documentação do sistema operacional descreve como instalar (se necessário), configurar, e utilizar o software do sistema operacional.
- A documentação dos componentes comprados separadamente oferece informações para configurar e instalar esses opcionais.
- Às vezes, atualizações são fornecidas com o sistema para descrever mudanças que afetam o sistema, o software e/ou a documentação.



NOTA: Verifique sempre as atualizações disponíveis no site support.dell.com (em inglês) e leia sempre as atualizações em primeiro lugar, pois estas geralmente substituem informações contidas em outros documentos.

- Talvez existam notas de versão e arquivos leia-me incluídos para fornecer as atualizações mais recentes do sistema ou documentação/material para referência técnica avançada destinados a usuários experientes ou técnicos.

Como obter assistência técnica

Se não compreender algum procedimento descrito neste guia ou se o sistema não apresentar o desempenho esperado, consulte o *Manual do proprietário de hardware*.

Existem recursos de treinamento e certificação empresarial da Dell; visite o site www.dell.com/training (em Inglês) para obter mais informações. Esse serviço pode não ser oferecido em todos os locais.

Instalação e configuração



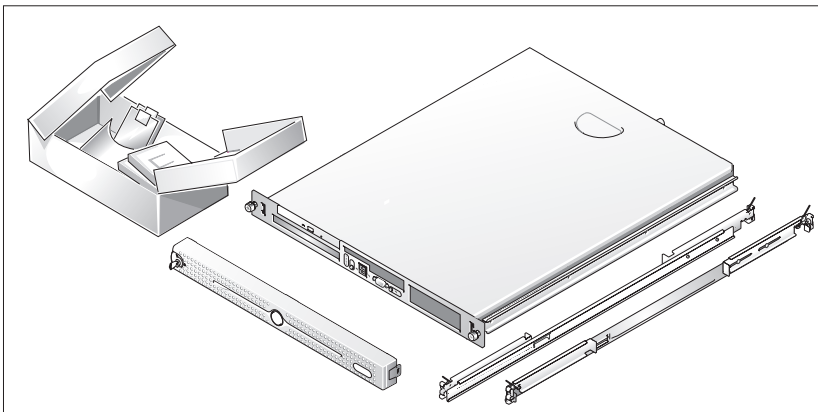
ADVERTÊNCIA: Antes de executar o seguinte procedimento, leia e siga as instruções de segurança e as informações importantes sobre regulamentação contidas no *Guia de informações do produto*.



ADVERTÊNCIA: Sempre que precisar levantar o sistema, solicite a ajuda de outras pessoas. Para evitar ferimentos, não tente levá-lo por conta própria.

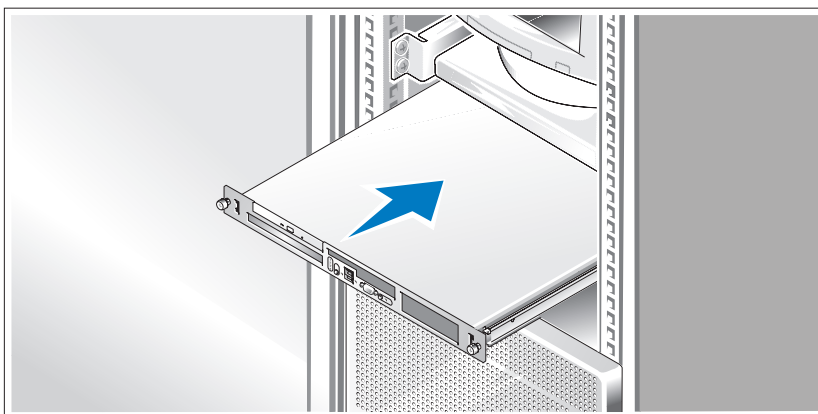
Esta seção descreve as etapas para a configuração do sistema pela primeira vez.

Remoção do sistema da embalagem



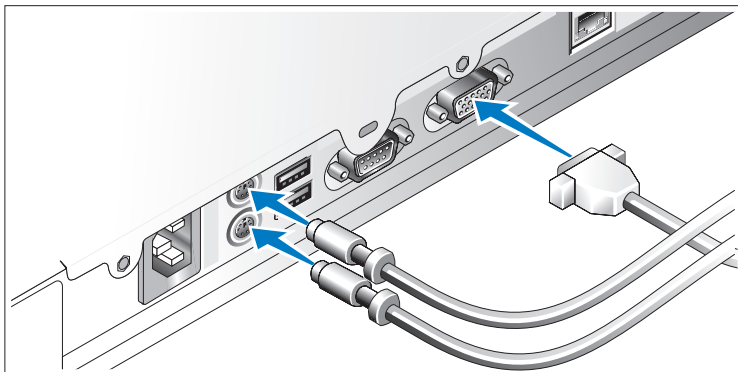
- 1 Remova o sistema da embalagem e identifique cada item.
Guarde todos os materiais de envio caso sejam necessários mais tarde.

Instalação dos trilhos e do sistema no rack



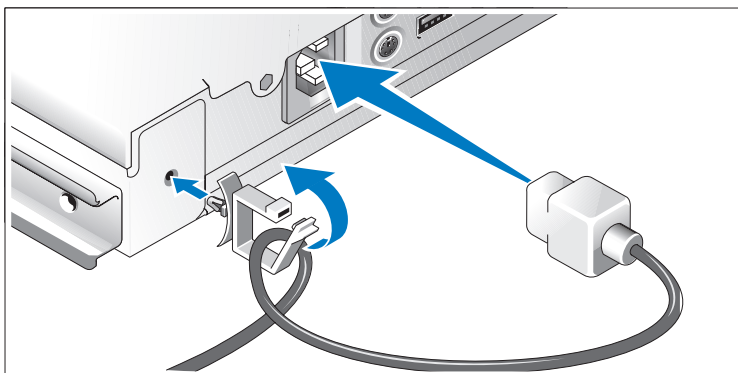
- 2 Depois de ler as instruções de segurança localizadas na documentação de instalação em rack para o sistema, instale os trilhos e o sistema no rack.
Consulte a documentação de instalação em rack para obter instruções sobre como instalar o seu sistema em um rack.

Conexão de teclado, mouse e monitor



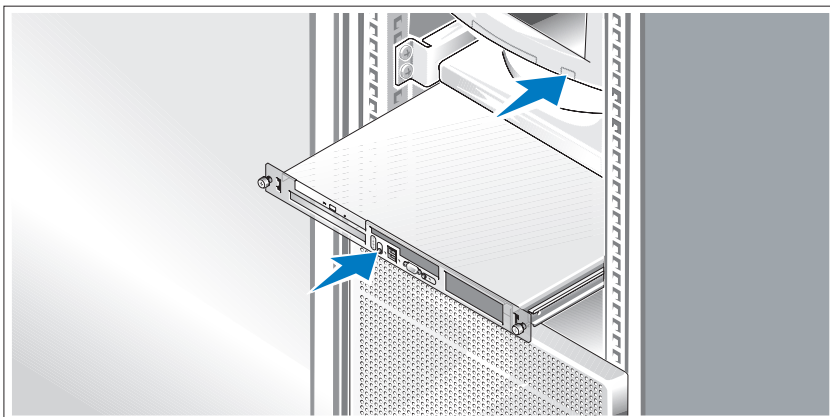
- 3** Conecte o teclado, o mouse e o monitor (opcional).
Os conectores localizados na parte traseira do sistema possuem ícones indicando quais cabos devem ser ligados a cada conector. Certifique-se de apertar os parafusos (se houver) no conector do cabo do monitor.

Conexão da energia



- 4** Conecte os cabos de alimentação ao sistema. Conecte o clipe de retenção do cabo na parte de trás do sistema, passe o cabo pelo clipe de retenção de cabo como mostrado e feche o clipe.
- 5** Conecte a outra extremidade do cabo a uma tomada elétrica aterrada ou a uma fonte de energia separada como, por exemplo, uma UPS (Uninterrupted Power Supply [Fonte de alimentação contínua]) ou uma PDU (Power Distribution Unit [Unidade de distribuição de energia]).

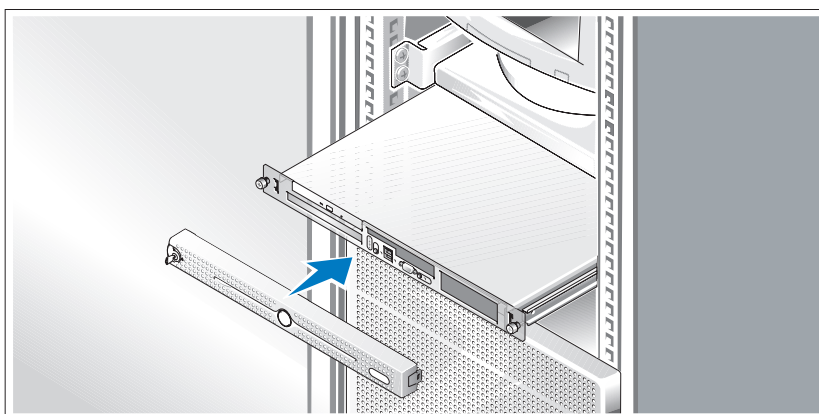
Como ligar o sistema



- 6** Ligue o sistema e o monitor (opcional).

Pressione o botão liga/desliga do sistema e do monitor. As luzes indicadoras de força deverão se acender. Ajuste os controles do monitor até que a imagem exibida seja satisfatória.

Instalação da tampa frontal



- 7** Instale a tampa frontal (opcional).

Conclusão da configuração do sistema operacional

Caso tenha adquirido um sistema operacional pré-instalado, consulte a respectiva documentação fornecida com o sistema. Para instalar um sistema operacional pela primeira vez, consulte a documentação fornecida com ele. Certifique-se de que o sistema operacional esteja instalado antes de instalar qualquer hardware ou software que não tenha sido adquirido com o sistema.

Especificações técnicas

Processador

Tipo de processador	Um processador Intel® Celeron® ou Um processador Intel Core™ 2 Duo ou Um processador Intel Pentium® Dual Core ou Um processador seqüencial Intel Xeon Dual Core® 3000 ou Um processador seqüencial Intel Xeon Quad Core 3200
---------------------	--

Velocidade do barramento frontal

Intel Celeron	Mínimo de 800 MHz
Intel Pentium Dual Core	Mínimo de 800 MHz
Intel Core 2 Duo	Mínimo de 800 MHz
Processador Intel Xeon Dual Core série 3000	Mínimo de 1333 MHz
Processador Intel Xeon Quad Core série 3200	Mínimo de 1066 MHz

Cache interno

Intel Celeron	512 KB
Intel Pentium Dual Core	pelo menos 1 MB
Intel Core 2 Duo	pelo menos 2 MB

Processador (continuação)

Processador Intel Xeon Dual Core série 3000	Mínimo de 4 MB
Processador Intel Xeon Quad Core série 3200	Mínimo de 2 MB x 4 MB (8 MB)

Barramentos de expansão

Tipo de barramento PCI-X, PCIe

Slots de expansão: duas placas riser opcionais

Placa riser 1

PCIe. Slot PCIe de altura completa e meio comprimento de pista x8

PCIe Slot PCIe de altura completa e meio comprimento de pista x4 acoplado a um conector de pista x8

Placa riser 2

PCI-X Slot de altura completa, meio comprimento, PCI-X de 64 bits, 133 MHz

PCIe Slot PCIe de altura completa e meio comprimento de pista x8

Memória

Arquitetura Até quatro módulos de memória DDR2 677/800 MHz SDRAM sem buffer com ECC

Soquetes dos módulos de memória. Quatro de 240 pinos

Capacidades dos módulos de memória. 512 MB, 1 GB ou 2 GB

RAM mínima 512 MB (um módulo de 512-MB)

RAM máxima 8 GB

Unidades

Discos rígidos

SATA	Até duas unidades de 1 polegada de altura
SAS	Até duas unidades internas opcionais de 1 polegada de altura com placa controladora SAS opcional
Unidade óptica.	Um compartimento da unidade de DVD ou uma combinação de CD-RW/DVD em um compartimento periférico. NOTA: Os dispositivos de DVD destinam-se somente a dados.
Unidade flash USB	Uma unidade opcional que emula uma unidade de disquete ou de disco rígido.

Conectores

Acessível externamente

Parte posterior

Adaptador de rede	Dois RJ-45 (para adaptadores de rede integrados de 1 GB)
Teclado PS/2	Mini-DIN de 6 pinos
Mouse PS/2	Mini-DIN de 6 pinos
Serial	9 pinos
USB	Dois de 4 pinos, compatível com USB 2.0
Vídeo	VGA de 15 pinos.

Parte frontal

Vídeo	VGA de 15 pinos
USB	Dois de 4 pinos, compatível com USB 2.0

Acessível internamente

Canais SATA	Três de 7 pinos
-------------	-----------------

Vídeo

Tipo de vídeo	Controlador ATI ES1000 VGA integrado
Memória de vídeo	32 MB DDR II

Energia

Fonte de alimentação CA

Potência	345 W
Tensão	100 VCA a 240 VCA, 50 Hz a 60 Hz
Corrente de entrada máxima	Sob condições de linha típicas e dentro de todo o intervalo de temperatura ambiente de funcionamento do sistema, a corrente de entrada poderá atingir 25 A por 10 ms ou menos.
Bateria do sistema	Célula tipo moeda, de íons de lítio, CR 2032 de 3,0 V

Físicas

Altura	4,2 cm (1,68 pol.)
Largura	44,6 cm (17,6 polegadas)
Profundidade	
Com painel opcional	57,6 cm (22,7 polegadas)
Sem tampa frontal opcional	54,6 cm (21,5 polegadas)
Peso (configuração máxima)	11,8 kg (26 libras)

Ambientais

NOTA: Para obter informações adicionais sobre os valores ambientais para configurações de sistema específicas, visite o site www.dell.com/environmental_datasheets (em Inglês).

Temperatura

Operacional	10 °C a 35 °C (50 °F a 95 °F)
Armazenamento	-40 °C a 65 °C (-40 °F a 149 °F)

Umidade relativa

Operacional	20% a 80% (sem condensação) com variação de umidade máxima de 10% por hora
Armazenamento	5% a 95% (sem condensação).

Vibração máxima

Operacional	0,26 G a 5 Hz a 350 Hz por 15 minutos
Armazenamento	1,54 G a 10 Hz a 250 Hz por 15 minutos

Choque máximo

Operacional	Um pulso de choque no eixo z positivo (um pulso de cada lado do sistema) de 31 G por até 2,6 ms
Armazenamento	Seis pulsos de choque executados consecutivamente nos eixos x, y e z positivos e negativos (um pulso de cada lado do sistema) de 71 G por até 2 ms.

Altitude

Operacional	-16 m a 3.048 m (-50 pés a 10.000 pés)
Armazenamento	-16 m a 10.600 m (-50 pés a 35.000 pés)

Sistemas Dell™
PowerEdge™ R200

Procedimientos iniciales con el sistema



Notas, avisos y precauciones



NOTA: una NOTA proporciona información importante que le ayudará a utilizar mejor el ordenador.



AVISO: un AVISO indica la posibilidad de daños en el hardware o la pérdida de datos, e informa de cómo evitar el problema.



PRECAUCIÓN: un mensaje de PRECAUCIÓN indica el riesgo de daños materiales, lesiones o incluso la muerte.

**La información contenida en este documento puede modificarse sin previo aviso.
© 2007 Dell Inc. Todos los derechos reservados.**

Queda estrictamente prohibida la reproducción de este documento en cualquier forma sin la autorización por escrito de Dell Inc.

Marcas comerciales utilizadas en este texto: *Dell*, el logotipo de *DELL* y *PowerEdge* son marcas comerciales de Dell Inc.; *Intel*, *Pentium* y *Celeron* son marcas comerciales registradas y *Core* es una marca comercial de Intel Corporation; *Microsoft*, *Windows* y *Windows Server* son marcas comerciales o marcas comerciales registradas de Microsoft Corporation en los Estados Unidos o en otros países; *Red Hat* es una marca comercial registrada de Red Hat, Inc.; *SUSE* es una marca comercial registrada de Novell Inc. en los Estados Unidos y en otros países.

Otras marcas y otros nombres comerciales pueden utilizarse en este documento para hacer referencia a las entidades que los poseen o a sus productos. Dell Inc. renuncia a cualquier interés sobre la propiedad de marcas y nombres comerciales que no sean los suyos.

Modelo SVP

Agosto de 2007

N/P MP148

Rev. A00

Componentes del sistema

Los principales componentes de hardware y software del sistema son:

- Chasis montable en rack 1U/1S que admite rieles estáticos y rieles deslizantes.
 - ✍ **NOTA:** utilice el programa de configuración del sistema para visualizar la información del procesador. Consulte "Uso del programa de configuración del sistema" en el *Manual del propietario del hardware*.
- Uno de los procesadores siguientes:
 - Intel® Celeron®
 - Intel Pentium® de doble núcleo
 - Intel Core 2 Duo™
 - Procesador Intel Xeon® de doble núcleo serie 3000
 - Procesador Intel Xeon de cuatro núcleos serie 3200
- Un mínimo de 512 MB de memoria SDRAM DDR2 a 667 o 800 MHz, ampliable a un máximo de 8 GB mediante la instalación de combinaciones de módulos de memoria ECC sin búfer de 512 MB, 1 GB o 2 GB en los cuatro zócalos de módulo de memoria de la placa base.
- Una de las siguientes opciones de tarjeta vertical:
 - Una ranura de expansión PCIe x8 de altura completa y media longitud, y una ranura de expansión PCIe de altura completa y media longitud con un conector x8, pero con capacidad x4.
 - Una ranura de expansión PCI-X de 64 bits a 133 MHz, de altura completa y media longitud, y una ranura de expansión PCIe x8 de altura completa y media longitud, que incluye un conector para una tarjeta controladora de acceso remoto (RAC) opcional.
- Una unidad de CD, DVD o CD-RW/DVD combinada de 3,5 pulgadas en un compartimiento para unidades periféricas.
- Compatibilidad con las siguientes configuraciones de unidad de disco interna:
 - Hasta dos unidades de disco duro SATA internas de 1 pulgada de altura con las controladoras de unidad integradas.
 - Hasta dos unidades de disco duro internas SCSI de conexión serie (SAS) opcionales de 1 pulgada de altura con una tarjeta controladora SAS opcional.

- Controladora de acceso remoto opcional para la administración remota de sistemas. Para esta opción se requiere una tarjeta vertical compatible con conectores RAC PCI-X y PCIe.
- La unidad flash USB opcional emula una unidad de disquete o de disco duro.
- Una fuente de alimentación de 345 W.
- Dos adaptadores de red Ethernet Gigabit integrados que admiten velocidades de transferencia de datos de 10 Mbps, 100 Mbps y 1 000 Mbps.
- Dos ventiladores de refrigeración del sistema, un ventilador de refrigeración de la fuente de alimentación y un ventilador de PCI opcional para sistemas que disponen de una controladora RAID SAS.
- Conector serie para admitir la redirección de consola.
- Funciones de seguridad, como por ejemplo, detección de intrusión en el chasis y cerradura en el embellecedor opcional.
- Circuitos/software de administración de sistemas que supervisan las temperaturas y los voltajes del sistema críticos.
- En el panel posterior se incluyen el conector para teclado, el conector de vídeo, el conector para ratón, el conector serie, dos conectores USB y dos conectores de NIC.
- En el panel frontal se incluyen un conector VGA y dos conectores USB. Para obtener más información sobre componentes específicos, consulte “Especificaciones técnicas” en la página 52.

El software siguiente está incluido en el sistema:

- Un programa de configuración del sistema para ver y cambiar información de configuración del sistema. Para obtener más información, consulte “Uso del programa de configuración del sistema” en el *Manual del propietario del hardware*.
- Funciones de seguridad mejoradas, entre las que se incluyen una contraseña del sistema y una contraseña de configuración, disponibles mediante el programa de configuración del sistema.
- Controladores de vídeo para visualizar programas de aplicación en modos de alta resolución.
- Software de administración de sistemas y CD de documentación.

Sistemas operativos admitidos


- Microsoft® Windows Server® 2008 Web Edition, Standard Edition y Enterprise (x86 de 32 bits) Edition (*si está disponible*)
- Microsoft Windows Server 2008 Web Edition, Standard Edition, Small Business Server (Premium Edition y Standard Edition) y Enterprise (x64) Edition (*si está disponible*)
- Microsoft Windows Server 2003 Web Edition, Standard Edition, Small Business Server (Premium Edition y Standard Edition) y Enterprise (x86 de 32 bits) Edition (SP1 y SP2)
- Microsoft Windows Server 2003 Standard Edition y Enterprise (x64) Edition
- Microsoft Windows Server 2003 R2 Standard Edition, Small Business Server (Premium Edition y Standard Edition) y Enterprise (x86 de 32 bits) Edition
- Microsoft Windows Server 2003 R2 Standard Edition y Enterprise (x64) Edition
- Red Hat® Enterprise Linux ES (versiones 4 y 5) (x86_32)
- Red Hat Enterprise Linux ES (versiones 4 y 5) (x86_64)
- SUSE® Linux Enterprise Server 9 (SP2 o posterior) (x86_64)
- SUSE Linux Enterprise Server 10 (x86_64)

Otra información útil



PRECAUCIÓN: la *Guía de información del producto* contiene información importante sobre seguridad y normativas. La información sobre la garantía puede estar incluida en este documento o constar en un documento aparte.

- En los documentos *Instrucciones de instalación del rack* o *Guía de instalación del rack* incluidos con el rack se describe cómo instalar el sistema en un rack.
- En el *Manual del propietario del hardware* se proporciona información sobre los componentes del sistema y se describe cómo solucionar problemas del sistema e instalar o sustituir componentes. El *Manual del propietario del hardware* está disponible en los CD incluidos con el sistema o en support.dell.com.

- Los CD que se facilitan con el sistema proporcionan documentación y herramientas para configurar y administrar el sistema.
- En la documentación del software de administración de sistemas se describen las funciones, los requisitos, la instalación y el funcionamiento básico del software.
- En la documentación del sistema operativo se describe cómo instalar (si es necesario), configurar y utilizar el software del sistema operativo.
- En la documentación de los componentes adquiridos por separado se incluye información para configurar e instalar las opciones correspondientes.
- Algunas veces, con el sistema se incluyen actualizaciones que describen los cambios realizados en el sistema, en el software o en la documentación.
 -  **NOTA:** compruebe si hay actualizaciones en support.dell.com y, si las hay, léelas antes de proceder a la instalación, puesto que a menudo sustituyen la información contenida en otros documentos.
- Es posible que se incluyan notas de la versión o archivos Léame para proporcionar actualizaciones de última hora relativas al sistema o a la documentación, o material de consulta técnica avanzada destinado a técnicos o usuarios experimentados.


Obtención de asistencia técnica

Si no comprende algún procedimiento descrito en esta guía o si el sistema no funciona del modo esperado, consulte el *Manual del propietario del hardware*.

Tiene a su disposición el servicio de formación y certificación Dell para empresas. Para obtener más información, visite www.dell.com/training.

Es posible que este servicio no se ofrezca en todas las regiones.

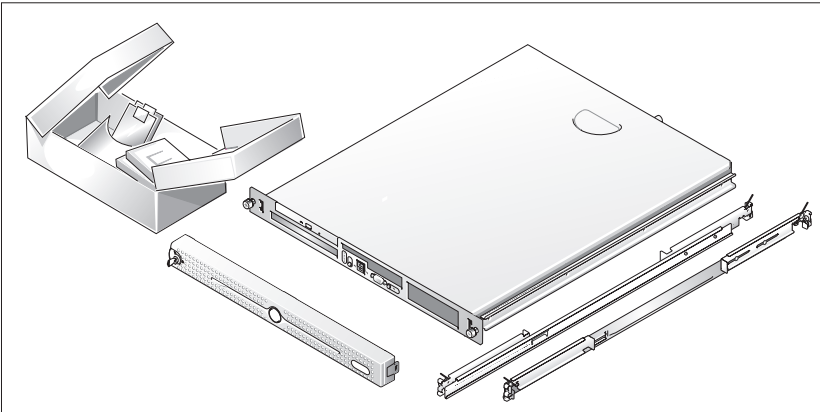
Instalación y configuración

 **PRECAUCIÓN:** antes de realizar el procedimiento siguiente, lea y siga las instrucciones de seguridad y la información importante sobre normativas incluidas en la *Guía de información del producto*.

 **PRECAUCIÓN:** siempre que necesite levantar el sistema, pida la ayuda de otros. Con el fin de evitar lesiones personales, no intente mover el sistema usted solo.

En esta sección se describen los pasos para configurar el sistema por primera vez.

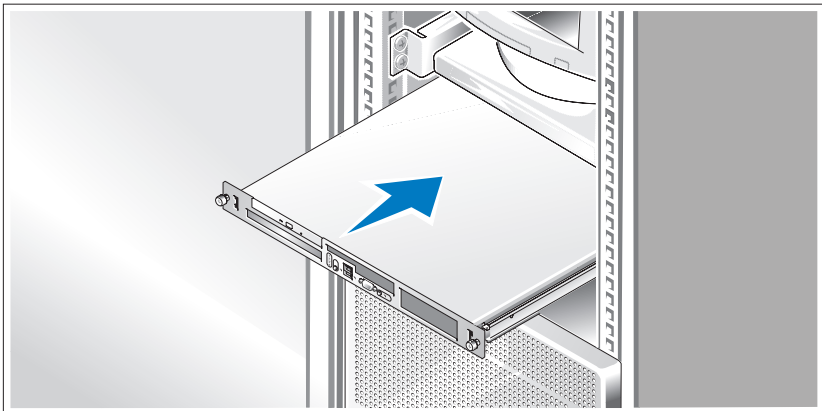
Desembalaje del sistema



- 1 Desembale el sistema e identifique cada elemento.

Guarde el material de embalaje por si lo necesita más adelante.

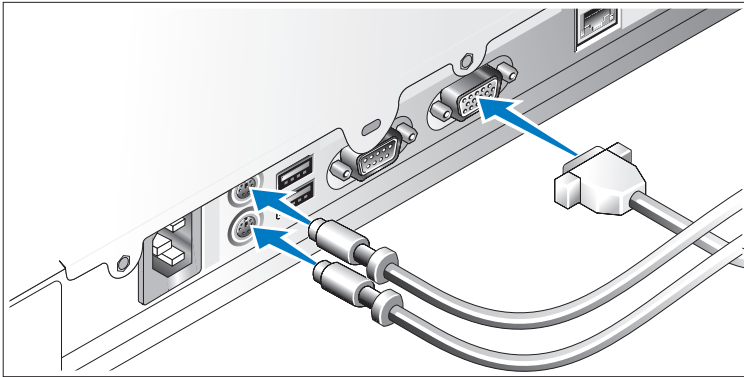
Instalación de los rieles y del sistema en un rack



- 2 Después de leer las instrucciones de seguridad incluidas en la documentación del sistema relativa a la instalación del rack, instale los rieles y el sistema en el rack.

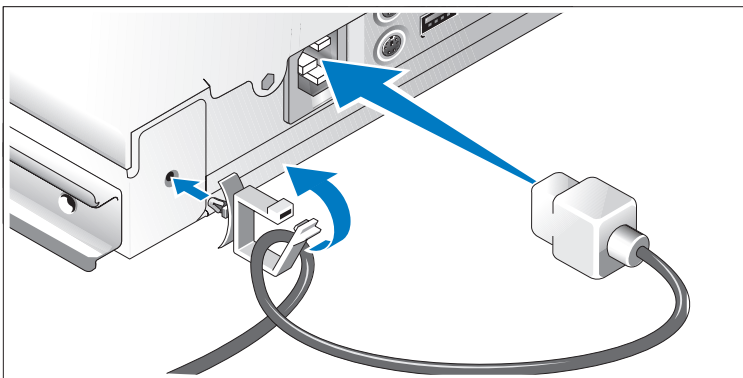
Consulte la documentación de instalación del rack para obtener instrucciones sobre la instalación del sistema en un rack.

Conexión del teclado, el ratón y el monitor



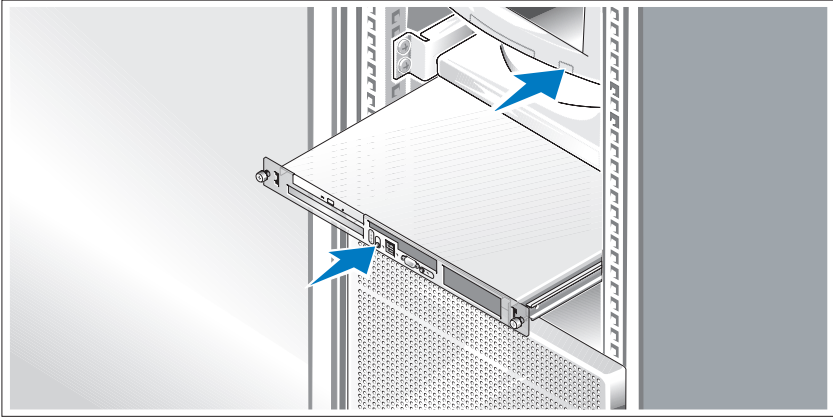
- 3 Conecte el teclado, el ratón y el monitor (opcional).
Los conectores de la parte posterior del sistema incluyen iconos que indican qué cable debe enchufarse en cada conector. Asegúrese de apretar los tornillos (si los hay) del conector del cable del monitor.

Conexión de la alimentación



- 4 Conecte los cables de alimentación al sistema. Fije el gancho de retención del cable a la parte posterior del sistema, pase el cable por el gancho tal como se muestra en la ilustración y, a continuación, ciérrelo.
- 5 Conecte el otro extremo del cable a una toma eléctrica con conexión a tierra o a otra fuente de energía, como por ejemplo un sistema de alimentación ininterrumpida (SAI) o una unidad de distribución de alimentación (PDU).

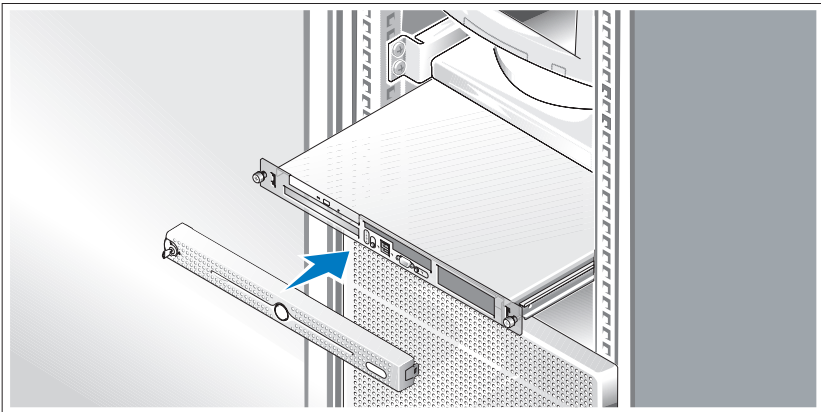
Encendido del sistema



- 6** Encienda el sistema y el monitor (opcional).

Presione el botón de encendido del sistema y del monitor. Los indicadores luminosos de alimentación deberían encenderse. Ajuste los controles del monitor hasta que la imagen mostrada sea satisfactoria.

Instalación del embellecedor



- 7** Instale el embellecedor (opcional).

Finalización de la instalación del sistema operativo

Si ha adquirido un sistema operativo preinstalado, consulte la documentación del sistema operativo que se suministra con el sistema. Para instalar un sistema operativo por primera vez, consulte la documentación que se entrega con el sistema operativo. Asegúrese de que el sistema operativo está instalado antes de instalar hardware o software no adquirido con el sistema.

Especificaciones técnicas

Procesador

Tipo de procesador	Un procesador Intel® Celeron® O bien: Un procesador Intel Core™ 2 Duo O bien: Un procesador Intel Pentium® de doble núcleo O bien: Un procesador Intel Xeon® de doble núcleo secuencia 3000 O bien: Un procesador Intel Xeon de cuatro núcleos secuencia 3200
--------------------	---

Velocidad del bus frontal

Intel Celeron	800 MHz como mínimo
Intel Pentium de doble núcleo	800 MHz como mínimo
Intel Core 2 Duo	800 MHz como mínimo
Intel Xeon de doble núcleo secuencia 3000	1 333 MHz como mínimo
Intel Xeon de cuatro núcleos secuencia 3200	1 066 MHz como mínimo

Memoria caché interna

Intel Celeron	512 KB
Intel Pentium de doble núcleo	1 MB como mínimo
Intel Core 2 Duo	2 MB como mínimo

Procesador (continuación)

Intel Xeon de doble núcleo secuencia 3000	4 MB como mínimo
Intel Xeon de cuatro núcleos secuencia 3200	2 x 4 MB (8 MB) como mínimo

Buses de expansión

Tipo de bus	PCI-X, PCIe
Ranuras de expansión para dos tarjetas verticales opcionales	
Tarjeta vertical 1	
PCIe	Una ranura PCIe x8 de altura completa y media longitud
PCIe	Una ranura PCIe x4 de altura completa y media longitud situada en un conector x8
Tarjeta vertical 2	
PCI-X	Una ranura PCI-X de 64 bits a 133 MHz de altura completa y media longitud
PCIe	Una ranura PCIe x8 de altura completa y media longitud

Memoria

Arquitectura	Hasta cuatro módulos de memoria SDRAM DDR2 sin búfer a 677 o 800 MHz con ECC
Zócalos de módulo de memoria	Cuatro de 240 patas
Capacidades de módulo de memoria	512 MB, 1 GB o 2 GB
RAM mínima	512 MB (un módulo de 512 MB)
RAM máxima	8 GB

Unidades

Unidades de disco duro

SATA	Hasta dos unidades de 1 pulgada de altura
SAS	Hasta dos unidades internas de 1 pulgada de altura opcionales con una tarjeta controladora SAS opcional
Unidad óptica	Una unidad de DVD o CD-RW/DVD combinada en un compartimiento para unidades periféricas NOTA: los dispositivos de DVD son sólo de datos.
Unidad flash USB	Una unidad opcional que emula una unidad de disquete o de disco duro

Conectores

Acceso externo

Parte posterior

Adaptador de red	Dos RJ-45 (para adaptadores de red de 1 gigabit integrados)
Teclado de tipo PS/2	Miniconector DIN de 6 patas
Ratón compatible con PS/2	Miniconector DIN de 6 patas
Serie	9 patas
USB	Dos de 4 patas compatibles con USB 2.0
Vídeo	VGA de 15 patas

Parte frontal

Vídeo	VGA de 15 patas
USB	Dos de 4 patas compatibles con USB 2.0

Acceso interno

Canales SATA	Tres de 7 patas
--------------	-----------------

Vídeo

Tipo de vídeo	Controladora VGA ATI ES1000 integrada
Memoria de vídeo	DDR II de 32 MB

Alimentación

Fuente de alimentación de CA

Potencia	345 W
Voltaje	100–240 V CA, 50/60 Hz
Corriente de conexión máxima	En condiciones normales de línea y en todo el ambiente del rango operativo del sistema, la corriente de la conexión puede alcanzar los 25 A durante 10 ms o menos.
Batería del sistema	Batería de tipo botón de litio de 3,0 V CR2032

Características físicas

Altura	4,2 cm
Anchura	44,6 cm

Profundidad

Con embellecedor opcional	57,6 cm
Sin embellecedor opcional	54,6 cm
Peso (configuración máxima)	11,8 kg

Especificaciones ambientales

NOTA: para obtener información adicional sobre medidas ambientales relativas a configuraciones de sistema específicas, visite la página web www.dell.com/environmental_datasheets.

Temperatura

En funcionamiento	De 10 a 35 °C
En almacenamiento	De -40 a 65 °C

Humedad relativa

En funcionamiento	Del 20 al 80% (sin condensación) con una gradación de humedad máxima del 10% por hora
En almacenamiento	Del 5 al 95% (sin condensación)

Vibración máxima

En funcionamiento	0,26 G a 5–350 Hz durante 15 minutos
En almacenamiento	1,54 G a 10–250 Hz durante 15 minutos

Impacto máximo

En funcionamiento	Un choque en el sentido positivo del eje z (un choque en cada lado del sistema) de 31 G durante un máximo de 2,6 ms
En almacenamiento	Seis choques ejecutados consecutivamente en el sentido positivo y negativo de los ejes x, y y z (un choque en cada lado del sistema) de 71 G durante un máximo de 2 ms

Altitud

En funcionamiento	De -16 a 3 048 m
En almacenamiento	De -16 a 10 600 m